



# Acme Sanitary Ware Co Ltd

Acme Building, 22-28 Nanking Street, Kowloon, Hong Kong  
 Tel: 2388 7171 Fax: 2710 8012  
 E-mail: acme@acmesanitary.com.hk  
 Website: www.acmesanitaryware.com.hk



Pure Freude  
an Wasser

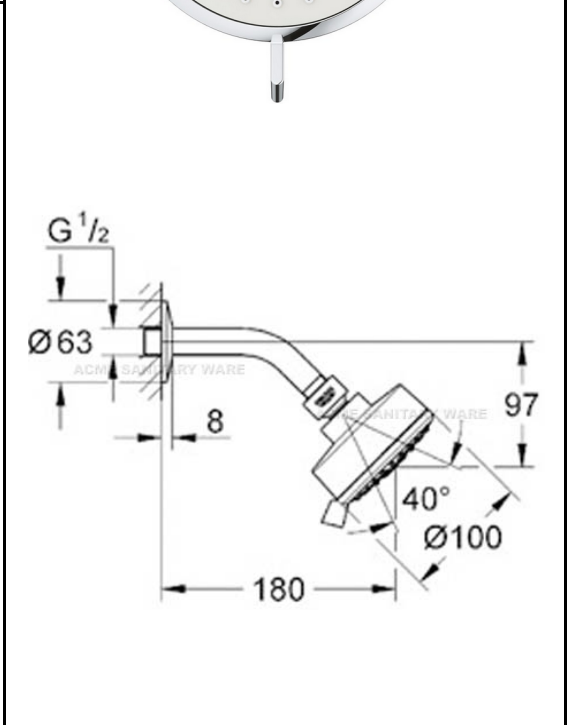
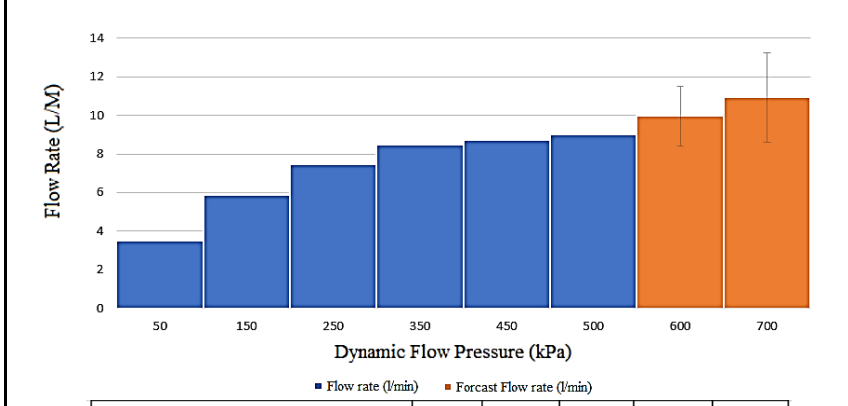
PROJECT		REF		REV	ITEM CODE	
LOCATION		DATE			PAGE	

## SANITARY WARE SPECIFICATION SHEET

Item Descriptions	GROHE (Germany) "New Tempesta Cosmopolitan 100" 4 functions in-wall shower head with arm; nominated flow rate <b>7.3 L/min in WELS Grade 1</b> ; Registration No. SB 18-0050
Dimensions	Refer to drawing
Model	27869001
Finish	Chrome Plated
Manufacturer	GROHE Limited
Supplier	Acme Sanitary Ware Co. Ltd Mr. Eric Wong/ Mr. Don Yuen
Contact Tel/Fax	(852) 2388-7171 / (852) 2710-8012
E-mail	acme@acmesanitary.com.hk
Website	www.acmesanitary.com.hk



GROHE Rain O<sup>2</sup>, Rain, Massage, Jet  
 Ball joint +/- 15° rotatable  
 shower arm with connection thread 1/2"  
 escutcheon  
**GROHE EcoJoy** 9.5 l/min flow limiter  
**GROHE DreamSpray** perfect spray pattern  
**GROHE StarLight** chrome finish  
 SpeedClean anti-limescale system  
 Inner WaterGuide for a longer life  
 suitable for instantaneous heater  
 min. recommended pressure 1 bar



Dynamic flow pressure (kPa)	50	150	250	350	500
Flow rate (l/min)	3.50	5.90	7.48	8.50	9.50

註冊號碼 (Registration No.): SB 18-0050




自願參與用水效益標籤計劃 - 沐浴花灑  
Voluntary Water Efficiency Labelling Scheme - Showers for Bathing



茲證明  
This is to certify that

將下列花灑在本計劃內註冊：  
has registered the following shower under this scheme :

牌子 / Brand	:	GROHE
型號 / Model	:	27869XX1
原產地 / Country or Region Origin	:	Germany

在用水效益標籤上展示的標誌 <i>Symbolic Presentation on the Water Efficiency Label</i>	:	 滴水點 <i>Water droplet(s)</i>
用水效益級別 <i>Water Efficiency Grade</i>	:	1
耗水量 <i>Water Consumption</i>	:	7.3 公升/分鐘 <i>litres/minute</i>

簽發日期: 28 February 2018  
Date of Issue:

 水務署  
Water Supplies Department



水務署署長(周世威代行)  
for Director of Water Supplies